

# Impact-R 2120



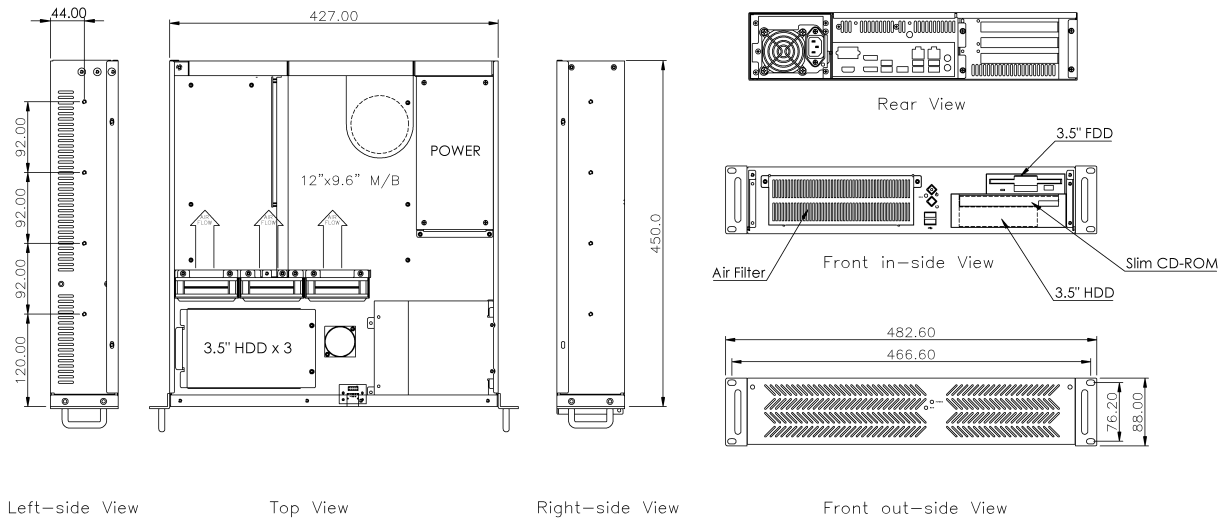
## Features

The Impact-R 2120 series of 2U computers are powered by Intel® based motherboards, delivering a compact and flexible computer platform.

Key features:

- Intel® 12th, 13th, 14th Generation CPU architecture
- DDR5 Memory up to 192GB
- Supports 4 native displays simultaneously

## Dimensions



## Impact-R 2120

The information is believed to be accurate. However Amplicon Liveline Limited accepts no responsibility for any problems caused by errors and omissions. Specifications are subject to change without notice.

## Specifications

Hardware Specification	<p>CPU: Intel® LGA1700 12th Generation Core™ i9/i7/i5 Chipset: Intel® Q670E</p> <p>Memory: Four 288-pin UDIMM up to 192GB (Non-ECC) Dual Channel DDR5 up to 4400 MHz</p> <p>LAN: 1 x Intel® I226-LM (Core i9/i7/i5 support iAMT) 1 x Intel® I226-V</p>	Optional Breakout Interfaces (Will use 1 slot per breakout)	<p>2 x RS-232/422/485 4 x RS-232 2 x USB 3.2 Gen 1 1 x USB 2.0 Type A 2 x USB 2.0 (Header 2x) 1 x Front Audio Header 1 x S/PDIF 1 x PS/2 (2.54mm pitch) 4-IN / 8-OUT DIO 1 x eSATA 1 x SMBus</p>
BIOS	AMI SPI 256Mbit	System Architecture	Intel® Based Industrial motherboard
Display	<p>1 x VGA, resolution up to 1920x1200 @ 60Hz 2 x DP++, resolution up to 4096x2304 @ 60Hz 1 x HDMI 2.0a, resolution up to 4096x2160 @ 24Hz</p>	Supported O/S	<p>Windows 10 IoT Enterprise 64-bit Windows 11 LTSC Linux</p>
Storage	<p>Total Drive capacity: 4 x 3.5" HDD &amp; 1 x 5.25" bay, or 5 x 3.5" HDD &amp; 1 x Slim DVD</p> <p>4 x SATA 3.0 (up to 6Gb/s) RAID 0/1/5/10</p>	Mechanical	<p>Design: EIA RS-310C 19" Rackmount Standard Construction: Heavy Duty Cold Rolled Electroplated Steel Colour: Black (custom colours available for large orders) Dimensions: 483(W) x 88(H)x 450(D)mm (19.0" x 3.5" x 17.7") Package Size: 615(W) x 224(H) x 600(D)mm (24.2" x 8.8" x 23.6") Total drive capacity: 1 x Slim 5.25" external, 1 x 3.5" external, 4 x 3.5" internal or 1 x 5.25" external, 1 x 3.5" external, 3 x 3.5" internal Cooling: 3 x 80mm ball bearing fans (42.5 CFM each) Air filter: removable (washable) Gross Weight: approximately 17 kg</p>
System Expansion	<p>2 x PCIe x16 (Gen 4, 16 or 8+8) —Support PCIe1/PCIE4 : single at x16(PCIE1) —Support PCIe1/PCIE4 : dual at x8(PCIE1)/x8(PCIE4) —Support PCIe1 : Riser card x16 or x8/x8 selected by BOM change</p> <p>3 x PCIe x4 (Gen 4, open edge)</p> <p>1 x PCIe x4 (Gen 3, open edge, opt. share M.2-M2, function selected by BIOS.)</p> <p>1 x PCI</p> <p>1 x M.2 2230 E key (PCIe/USB 2.0/Intel CNVi/Wifi 6E) 1 x M.2 2242/2260/2280 M key (PCIe x4 Gen4 NVMe, SATA) 1 x M.2 2242/2260/2280 M key (default, PCIe x4 Gen3 NVMe share PCIe#6, function selected by BIOS.)</p>	Environmental operation	<p>Acoustic noise: Approximately 49dB(A) sound pressure at 23°C (typical) Temperature: Operating: -5 to 65°C Humidity: Operating: 5 to 95% RH</p>
External Interfaces	<p>Front: 2 x USB 2.0/1.1 On/Off Switch, Reset Pwr/HDD LEDs</p> <p>Rear: 2 x 2.5GbE (RJ-45) 4 x USB 3.2 Gen 2 4 x USB 3.2 Gen 1 1 x VGA, 2 x DP++, 1 x HDMI 1 x Line-out, 1 x Mic-in</p>	Environmental storage	<p>Temperature: Storage: -20 to 70°C with RTC Battery; -40 to 85°C without RTC Battery Humidity: Storage: 5 to 95% RH</p>
		Reliability	<p>System MTBF: 208,538 hrs @ 25°C; 135,107 hrs @ 40°C; 76,715 hrs @ 60°C; 58,368 hrs @ 70°C Calculation Model: Telcordia Issue 2 Environment: GB, GC - Ground Benign, Controlled</p>
		Certifications	CE, UKCA