

Senses 7217



Features

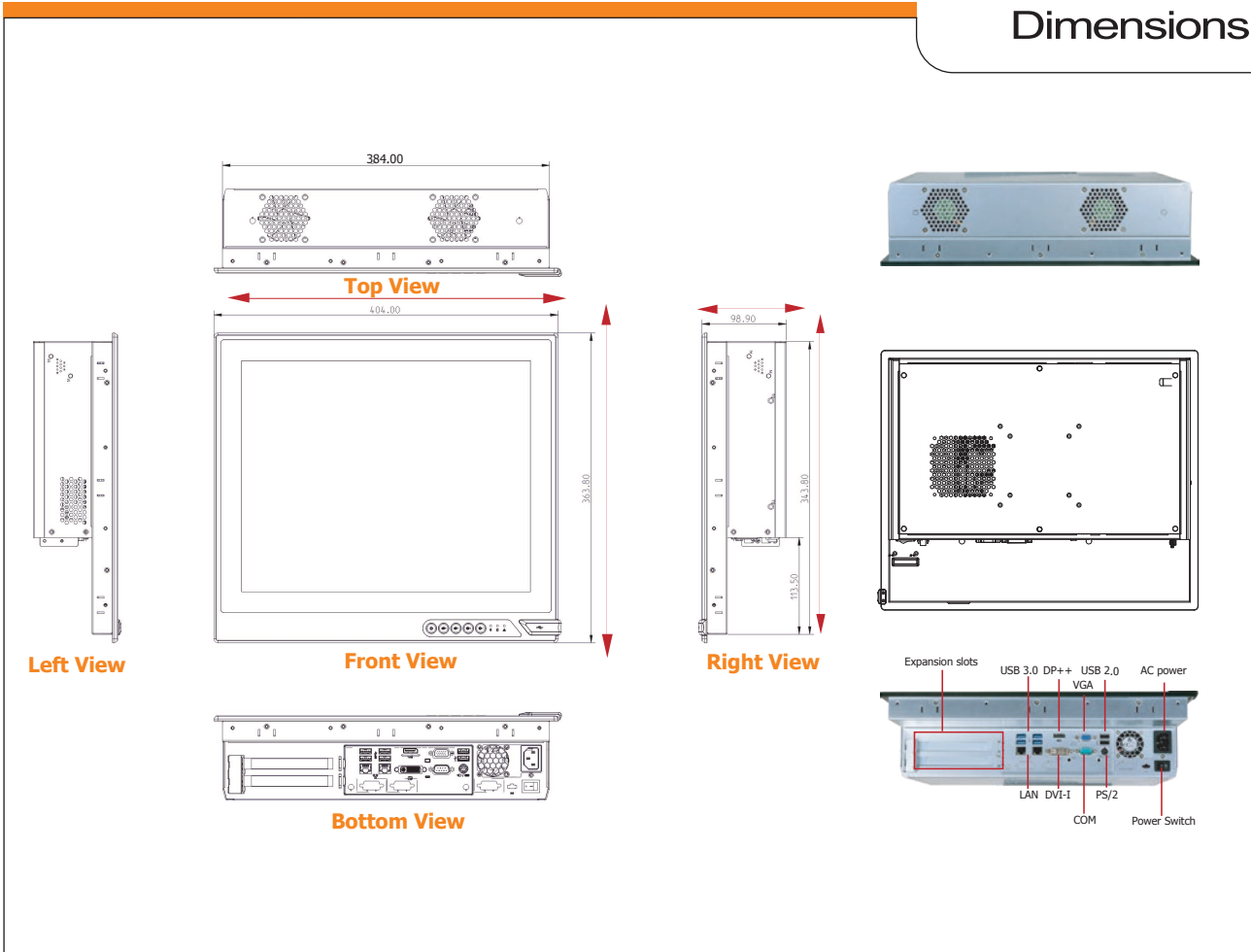
The Senses 7217 is an expandable Industrial Panel PC utilising the Intel®Q170 chipset and provides a 17" TFT LCD touchscreen and an IP65 rated front panel.

Features:

- Options of Resistive or Projective Capacitive
- Two PCIe x8 Expansion
- IP65 Front panel
- VESA/Wall/Panel mountable
- Optional Wi-Fi

Each Industrial Panel PC comes with a 2 year warranty.

Dimensions



Sales: +44 (0) 1273 570 220 Admin: +44 (0) 1273 608 331 Fax: +44 (0) 1273 570 215 Website: www.amplicon.com Email: sales@amplicon.com

Senses 7217

Specifications

The information is believed to be accurate. However Amplicon Liveline Limited accepts no responsibility for any problems caused by errors and omissions. Specifications are subject to change without notice.

Hardware Specifications	<p>Supported CPU 7th Generation: Intel® Core™ i7-7700, 8M Cache, 3.6GHz Intel® Core™ i5-7500, 6M Cache, 3.4GHz</p> <p>Supported CPU 6th Generation: Intel® Core™ i7-6700, 8M Cache, 3.4GHz Intel® Core™ i5-6500, 6M Cache, 3.2GHz</p> <p>Main Memory: 4GB DDR4 2133MHz (max 32GB) Chipset: Intel® Q170 Express chipset Video: Intel® HD Graphics LAN: Dual GbE Intel Ethernet controllers Optional WLAN</p>	Supported Operating Systems	<p>Windows 7 Pro Fes /WES7 32/64-bit Windows 10 IoT 64-bit Ubuntu 15.10 (Intel graphic driver available)</p> <p>If your desired operating system is not listed, please contact us.</p>
BIOS	AMI	External Interfaces	<p>2 x GbE (RJ-45) (1x Port iAMT capable) 1 x RS-232 (DB-9) (Additional ports available upon request) 4 x USB 3.0 2 x USB 2.0 1 x USB 2.0 (Front panel) 1 x PS/2 (mini-DIN-6) 1 x VGA 1 x DVI-I (DVI-D signal) 1 x DP++</p>
Display	<p>Display type: 17" TFT LCD Resolution: 1024x768 Brightness (cd/m): 300nits</p>	LEDs and Switches	<p>Power switch Remote Power Switch 5 function keys at the front panel Power LED</p>
Storage	2 x 2.5" HDD/SSD	Mechanical	<p>Sheet Metal construction Front Panel: IP65 (including USB ports) Dimensions (W x H x D): 404mm x 363mm x 103.5mm</p> <p>Panel mount kit (included) Optional Wall mount</p> <p>Power Type: ATX Power Input voltage: 90-264V AC</p>
System Expansion	<p>1 x Full-size mSATA (PCIe/USB) 2 x PCIe x8 1 x Mini PCIe</p>	Environment	<p>Operating Temperature 0 to 50°C Storage Temperature -30 to 70°C Relative Humidity 10% to 90% @ 40°C (non-condensing)</p>
		Certification	CE

Sales: +44 (0) 1273 570 220 Admin: +44 (0) 1273 608 331 Fax: +44 (0) 1273 570 215 Website: www.amplicon.com Email: sales@amplicon.com