

KwikDraw-A 171-8/16

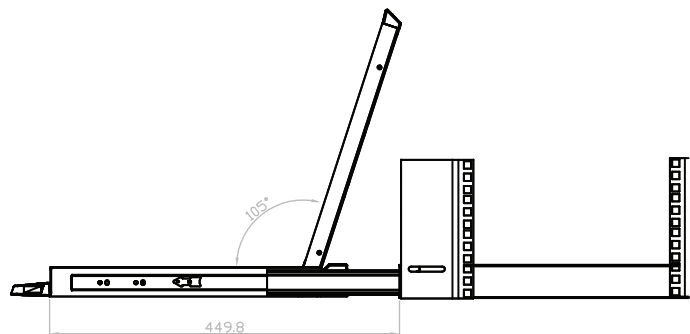
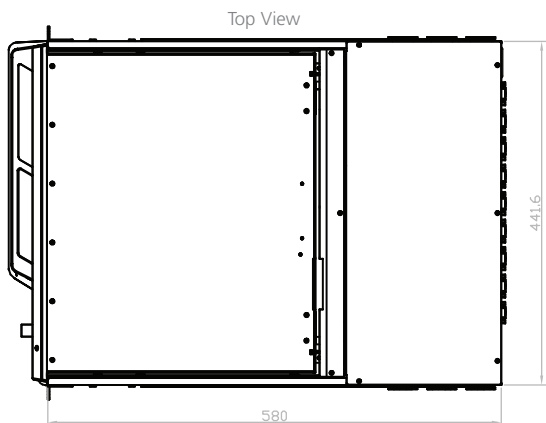
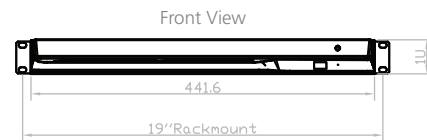
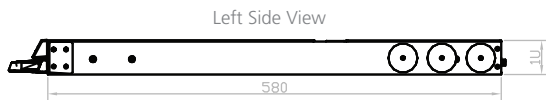


Features

Key features:-

- 1U 17" LCD console drawer
- 104-key keyboard with touchpad or trackball
- New enhanced aesthetics with moulded front handle
- 2 post rack mounting available
- 8 or 16 port KVM
- Hot pluggable, no software or drivers required
- Easy & quick installation

Dimensions



Unit : mm

KwikDraw-A 171-8/16

Specifications

The information is believed to be accurate. However Amplicon Liveline Limited accepts no responsibility for any problems caused by errors and omissions. Specifications are subject to change without notice.

Console

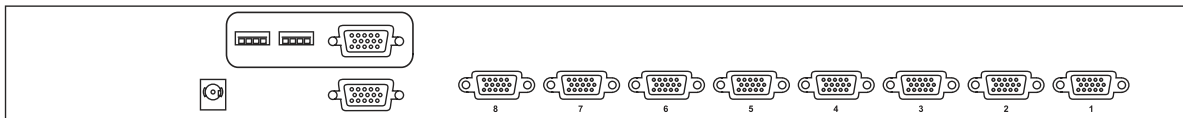
LCD Panel	Size (diagonal): 19" TFT Max resolution: 1280 x 1024 Brightness (cd/m ²): 250 Backlight: CCFL Colours: 16.7 M Contrast ratio (typ): 1000 : 1 Viewing angle (H/V): 160° x 160° Active area (mm): 338 x 270 MTBF (hrs): 50,000 Signal input: VGA	Regulatory	Safety: cUL, FCC & CE certified Environmental: RoHS2 & REACH compliant
Casing Colour	Black (RAL 9005)	Power	Input: Auto-sensing 100 to 240VAC, 50 / 60Hz Consumption: Max. 48 Watt, Standby 5 Watt
Weight	Net: 13kgs (28.6lbs) Gross: 19kgs (41.8lbs)	Environmental	Operating: 0 to 55°C Storage: -5 to 60°C Relative humidity: 5-90%, non-condensing Shock: 10G acceleration (11ms duration) Vibration: 5-500Hz 1G RMS random vibration
Dimensions (W x D x H)	Product: 441.6 x 580 x 44 mm (17.4 x 22.8 x 1.73 in) Packing: 590 x 808 x 140 mm (23.2 x 31.8 x 5.5 in)		

KVM

KVM Port	Number of ports: 8 or 16 Connector: DB-15 combo connector Connectivity: Combo 4-in-1 KVM cable, up to 6, 10 & 15 feet	Power	Input: Auto-sensing 100 to 240VAC, 50 / 60Hz Option DC: 12V / 24V / 48V / 110 ~ 125V DC input Consumption: Max. 24 Watt, Standby 5 Watt
Local Console	Graphic connector: 1 x DB-15 VGA Resolution: Up to 1920 x 1080 / 1920 x 1200 Input device: 2 x USB type A for keyboard & mouse	Environmental	Operating: 0 to 50°C Storage: -5 to 60°C Relative humidity: 90%, non-condensing Shock: 10G acceleration (11ms duration) Vibration: 58-100Hz / 0.98G (11ms / cycle)
Weight	Net: 8 port - 2.4kgs (5.3lbs), 16 port - 2.6kgs (5.7lbs) Gross: 8 port - 3.9kgs (8.6lbs), 16 port - 4.2kgs (9.2lbs)	Management	Multilingual OSD: English, France, German, Spanish, Italian, Russian, Simplified Chinese, Japanese Hotkey combination: Scroll-lock, Cap-lock, Num-lock, Alt, Ctrl & Win Security: Password enable & disable, up to 8 users profile for port access PC Selection: Front button, OSD menu & hotkey
Dimensions (W x D x H)	Product: 443 x 171 x 44 mm (17.4 x 6.7 x 1.73 in) Packing: 500 x 400 x 90 mm (19.7 x 15.7 x 3.5 in)		
Expansion	Up to 128 servers by 8-level cascade		
Regulatory	Safety: cUL, FCC & CE certified Environmental: RoHS2 & REACH compliant		

Rear ports

8 Port



16 Port

