

# Impact-R 4080S/4090S



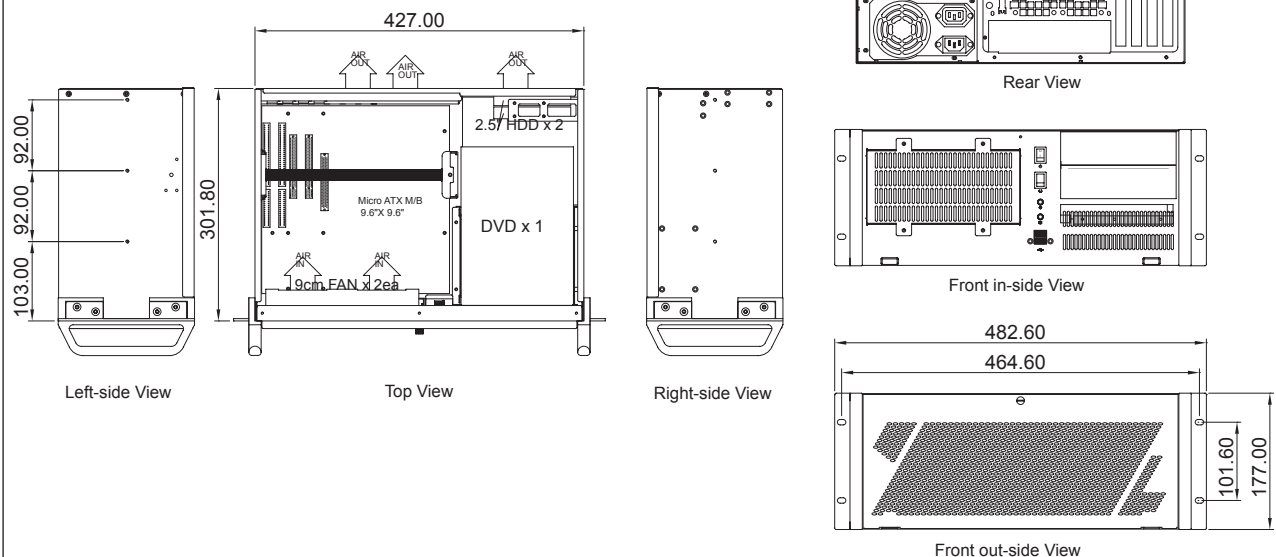
## Features

The Impact-R 4080S/4090S series computers are powered by Intel® based motherboards, delivering a compact and flexible computer platform.

- Intel® Coffee lake CPU architecture
- DDR4 Memory up to 64GB
- Supports dual native displays simultaneously

Our production processes are controlled under ISO 9001 and every system undergoes a full diagnostic burn-in prior to shipment.

## Dimensions



Sales: +44 (0) 1273 570 220 Admin: +44 (0) 1273 608 331 Fax: +44 (0) 1273 570 215 Website: [www.amplicon.com](http://www.amplicon.com) Email: [sales@amplicon.com](mailto:sales@amplicon.com)

# Impact-R 4080S/4090S

## Specifications

The information is believed to be accurate. However Amplicon Liveline Limited accepts no responsibility for any problems caused by errors and omissions. Specifications are subject to change without notice.

Hardware Specification	CPU: Intel® LGA1151 8th Gen (408xS models) or 9th Gen (409xS models) Celeron/Pentium/i3/i5/i7 Chipset: Intel® H310 Memory: Dual DIMM (max 64GB DDR4 2666MHz non-ECC) Graphics: Integrated GPU: DP - max 4096*2304 @ 60Hz DVI-D - max 1920*1200 @ 60Hz VGA - max 1920*1200 @ 60Hz LAN: Dual Intel® GbE (Realtek RTL8111G)	Environmental operation	Vibration: 0.25g sine sweep @ 1 octave per minute from: 10 to 500Hz (longitudinal)* Shock: 10G 1/2 sine 11ms* * Higher levels are achievable by use of an SSD, or ruggedized hard drive. Acoustic noise: 49dB(A) sound pressure at 23°C (typical) Temperature: 5 to 60°C (tested for extended operation up to 50°C) Humidity: 5 to 90% at 25°C non-condensing Low noise fan options are available (maximum operating temperature 35°C) We can design systems to meet additional requirements
BIOS	AMI EFI 128 Mbit SPI	Environmental storage	Temperature: -20 to 70°C Humidity: 5 to 90% at 25°C non-condensing
Storage	2 x 2.5" SSD/HDD 1 x M.2 (B Key) (2242/3042)	Certifications	CE/UKCA
System Expansion	1 x PCIe16 1 x PCIe1 2 x PCI M.2 (B Key) 1 (2242/3042 with SIM card holder)		
System Architecture	Micro ATX		
Supported O/S	Microsoft Windows 10 64-bit		
LED's and Switches	Power (PC on) LED Hard Disk Drive access LED ATX system control switch System reset switch		
External Interfaces	Front: 2 x USB 2.0/1.1 On/Off Switch, Reset Pwr/HDD LED Rear: 2 x GbE (RJ-45) 8 x USB 3.1 (Gen1) 4 x USB 2.0 1 x VGA 1 x DVI-I (DVI-D signal) 1 x DP++ 1 x Line-out 1 x Mic-in		
Optional Breakout Interfaces (Will use 1 slot per breakout)	8 x RS-232, 2 x RS-232/422/485 4 USB 2.0 Ps/2		
iAMT	Rev: 12.0		
Mechanical	Design: EIA RS-310C 19" Rackmount Standard Construction: Heavy Duty Cold Rolled Electroplated Steel Color: Black (Standard), Beige or Custom Dimensions: 483(W) x 177(H) x 302(D)mm (19" x 7" x 11.9") Package Size: 605(W) x 340(H) x 545(D)mm (23.8" x 13.4" x 21.4") Cooling Units: 2x92mm(51CFM each) & 2x60mm(23.5CFM each) Gross Weight: 12.1 kg		

Sales: +44 (0) 1273 570 220 Admin: +44 (0) 1273 608 331 Fax: +44 (0) 1273 570 215 Website: [www.amplicon.com](http://www.amplicon.com) Email: [sales@amplicon.com](mailto:sales@amplicon.com)