

Impact-R 1110F



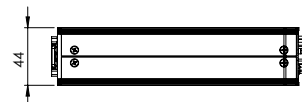
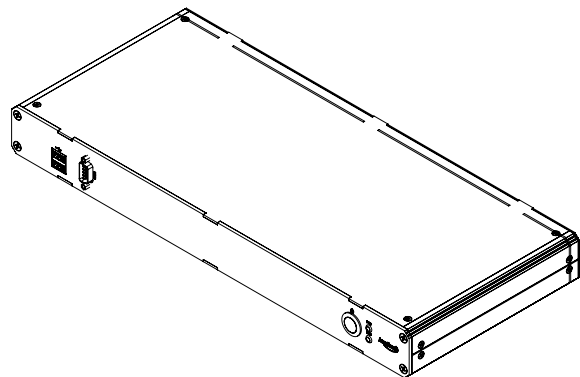
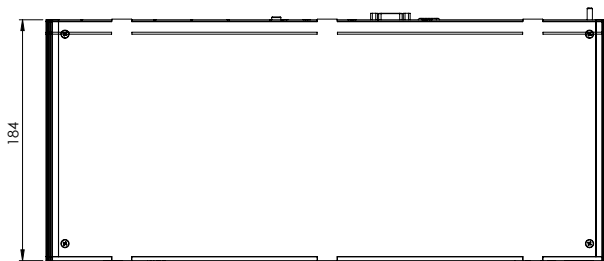
Features

Constructed in the UK under ISO9001, the Impact-R 1110F series offers high-end ATOM™ processing power in a minimal foot-print chassis.

With customisation and OEM options available.

- 3 year RTB warranty
- Heavy duty Aluminium chassis
- Road mapped industrial components
- Up to 10 DB9 COM ports
- Silent operation
- Removable rack ears

Dimensions



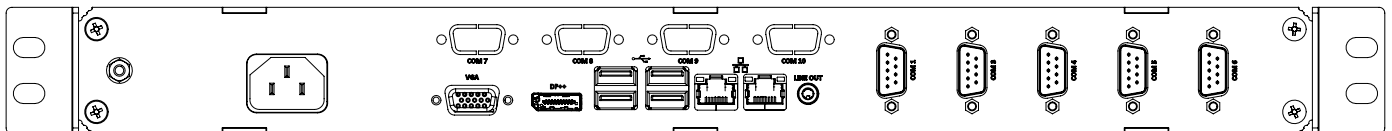
Impact-R 1110F

Specifications

The information is believed to be accurate. However Amplicon Liveline Limited accepts no responsibility for any problems caused by errors and omissions. Specifications are subject to change without notice.

Hardware specification	Processor: Intel® ATOM™ x7-3950 Processor, Quad Core, 2M Cache, 1.6GHz (2.0GHz), 12W Memory: Dual SO-DIMM DDR3L up to 8GB Display: VGA and DP++	Audio	Realtek ALC262-VC2-GR Line-Out via 3.5mm jack
BIOS	Insyde SPI 64bit	On-board LAN	Dual RJ45 GbE Intel® I21xAT PCIe (10/100/1000Mbps)
Storage	1 x 2.5" SSD/HDD 1 x M.2 ("B" Keyed)	Mechanical	Design: 19" Rackmount Construction: Heavy Duty Aluminium Front panel / Mounting ears black powder coating Body raw clean finish Dimensions (WxHxD mm): 429 x 44 x 184
System expansion	1 x Full size mPCIe (PCIe/USB) 1x M.2	Environment	Operating Temperature: 0°C to 60°C Storage Temperature: -30°C to 80°C Operating Humidity: 5 to 90% RH Storage Humidity: 5 to 90% RH
Supported OS	Microsoft: Windows 10 (x64) Windows 10 IoT (x64) Linux: Yocto Project Ubuntu 15.10 Fedora 24	Power Input	100-240 VAC 1.5A 50-60Hz
I/O interfaces	Front I/O: Serial Port: COM2 RS232/422/485 USB: Dual stack USB 2.0 Rear I/O: Serial Port: COM1, COM3-6 Optional COM 7-10 (RS232 or 485) USB: 2 x Dual stack USB 3 LAN: Dual GbE (Intel®) Display: DP++ and VGA Audio: Line-Out *COM1 is RS232/422/485	Warranty	3 years
Display	Intel® HD Graphics GT Series VGA: up to 2560*1600@60Hz DP++: up to 4096*2160@60Hz Support for DirectX 12, OpenCL 2.1, OpenGL 5.0	Certifications	CE/UKCA

Rear I/O plate



Sales: +44 (0) 1273 570 220 Admin: +44 (0) 1273 608 331 Fax: +44 (0) 1273 570 215 Website: www.amplicon.com Email: sales@amplicon.com